

saunum



A unique heater with a sauna
climate device

saunum spa session

The innovative Saunum Spa Session is a five-in-one sauna heater with an integrated air mixing system, designed to create a spa atmosphere at home. Large stone volume and unique stone basket solution of Saunum Spa Session combined with the patented air mixing system ensure exceptional steam that is soft and long, and evenly distributed throughout the steam room. Saunum Spa Session offers an innovative steam experience that is suitable for the whole family. The softer steam mixed with oxygen-rich air makes it easier to breathe. The five-in-one home spa solution allows you to turn a classic Nordic sauna into a sauna enriched with salt ions, humid-steam rich sauna, a mild relaxation sauna, and an aroma sauna.

Innovation

patented air-blending system

Saunum's patented air-blending system traps scorching steam and mixes it with cooler, more oxygen-rich air near the floor, equalizing the heat and steam throughout the sauna. This ensures a more even temperature of the steam, and the oxygen-enriched steam makes it easier to breathe. More water may be ladled onto the rocks of the heater to produce richer, more luxurious steam, resulting in more intense sweating.

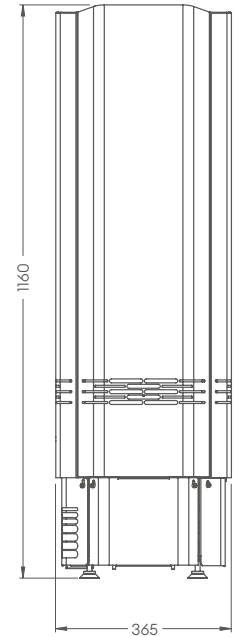
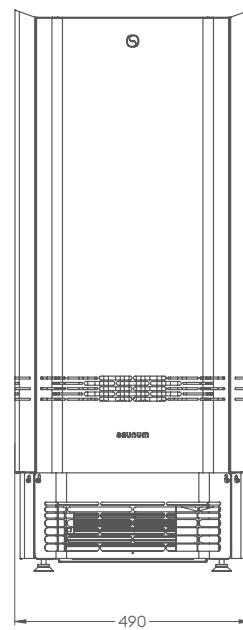
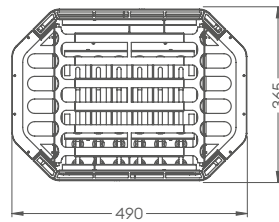


timeless and classic design

Saunum's innovative air blending system is incorporated into the heater, resulting in a timeless and classic design without the need for a visible flue. Crafted using Magnelis® and stainless steel, the heater becomes a durable and long-lasting choice for all your heating needs.

The dual-level stone basket and large stone capacity ensure prolonged heat retention, thereby enhancing the heater's energy efficiency. The heating elements are made of corrosion-resistant AISI 316, ensuring the longevity of the heating elements.

Steam water is evenly distributed through the top layer of stones, reducing thermal shock to both the heating elements and the lower stones, and promoting a more consistent sauna experience. The Saunum Spa Session comes equipped with steam guidance positioner, offering convenient air distribution options.



A unique heater with a sauna climate device

saunum spa session

Power of the heater 6 kW / 9 kW

Sauna room 6–9m³ / 9–12 m³

Min height of the room 1900 mm

Min safety distance from the heater:

sides 50 mm

front 50 mm

from stones to ceiling 700 mm

Included: Heater, climate device, salt balls 7 pcs, controller (inside the heater), controller touchscreen interface

Stone basket Closed

Colour Black

Climate device 3 speed levels, vent adjustment through Leil touchscreen

Height of the device 1160 mm

Depth and width of the device 365 x 490 mm

Net weight 57 kg

Circuit breaker 10A /16A

Power cable for heater SiHF 5 x 2.5 mm²

Water resistance IPX4

Additionally required:

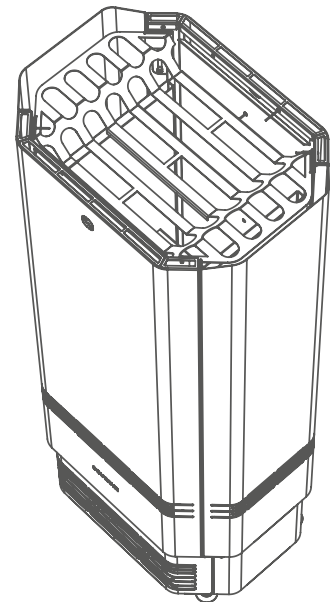
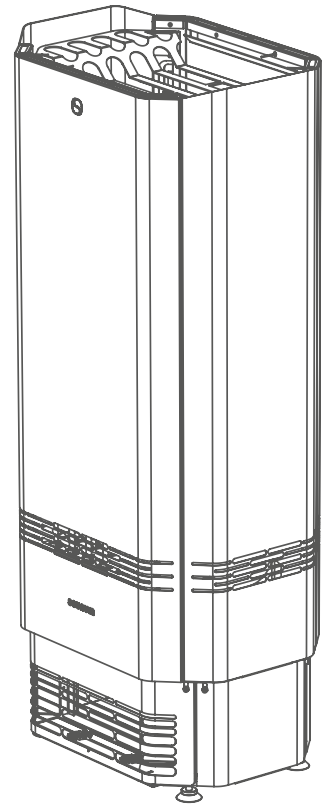
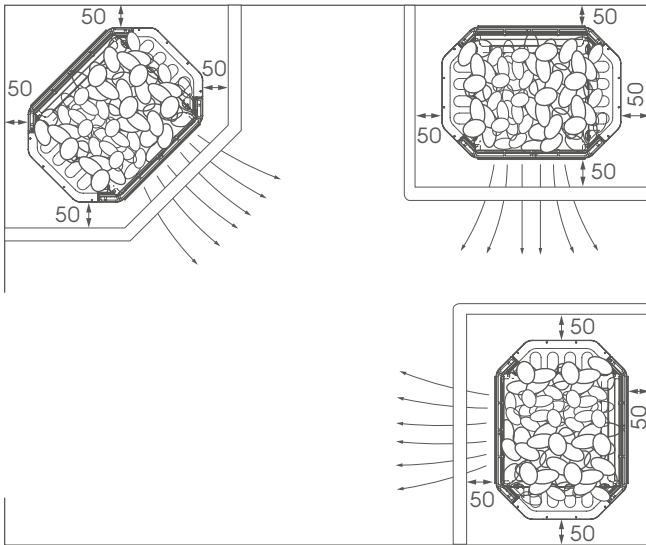
Heater stones Ø 5–10 cm 60–70 kg

For the aroma sauna Saunum sauna oil set

Installation

versatile heater

The Saunum Spa Session is a versatile heater that can be installed alongside a wall or in a corner of the sauna room, offering flexible installation options. The sauna climate device is designed to heat the sauna room to temperatures ranging from 40 to 90 °C while also maintaining a balanced climate during steaming.



thermal protection

Thermal protection is provided by means of thermal cut off in the temperature sensor (part of Leil controller kit) and also a secondary cut off controller inside the heater.

Please note! The climate control unit and the heater of the sauna must not be operated in temperatures exceeding 90 °C.

saunum leil control unit

With the Leil control unit, it is very easy to control the heater and the sauna climate device. You can heat the sauna and adjust the climate with just a few taps directly from the touch screen.





Health

enriching the air with salt ions

With Saunum's patented method of enriching the air with salt ions, the salt ions from the natural salt spheres added to the sauna climate device are infused into the circulating air to reach the skin and respiratory tract. Salt aerosol is valued as a decongestant used for reducing inflammation and possesses antimicrobial properties. Salt therapy is a popular treatment for asthma, bronchitis, pneumonia, sinusitis and provides relief of respiratory difficulties in children and adults.



Relaxing
Home Spa



Traditional
Nordic Sauna



Milder
Longer-Lasting
Steam



Improves
Breathing
Comfort



Suitable for
the Whole
Family



Aromatherapy

therapeutic aroma oil mixed with steam

Add another layer of sensory pleasure with the aromatherapy system, which mixes sauna essential oil aromas within the steam. It is a healthy alternative to burning aromatic oil on the hot stones.



Sensational experience

relaxing 5-in-1 spa solution

Try different settings and steam intensities to turn your sauna into a home spa.



Classic Nordic sauna

Temperature 60 °C–90 °C

The climate regulating system: speed level 1



Humid steam-rich sauna

Temperature 45 °C–60 °C

The climate regulating system: speed level 2 or 3
The lower the temperature and the higher the speed of the climate regulating system, the more steam is generated when throwing water on a heater.



The mild, relaxing sauna

Temperature 40 °C–55 °C

The climate regulating system: speed level 1
Perfect if you prefer a softer, more humid sauna.



Sauna enriched with salt ions

Temperature 40 °C–90 °C

The climate regulating system: speed level 1
The salt spheres added to the climate device work at any temperature, if the sauna climate device is switched on.



Aroma sauna

Temperature 40 °C–90 °C

The climate regulating system: speed level 1
Replace one of the salt spheres with an aroma bowl, add some Saunum aroma oil into it and enjoy!



saunumsaun



saunumsauna



saunum



saunum